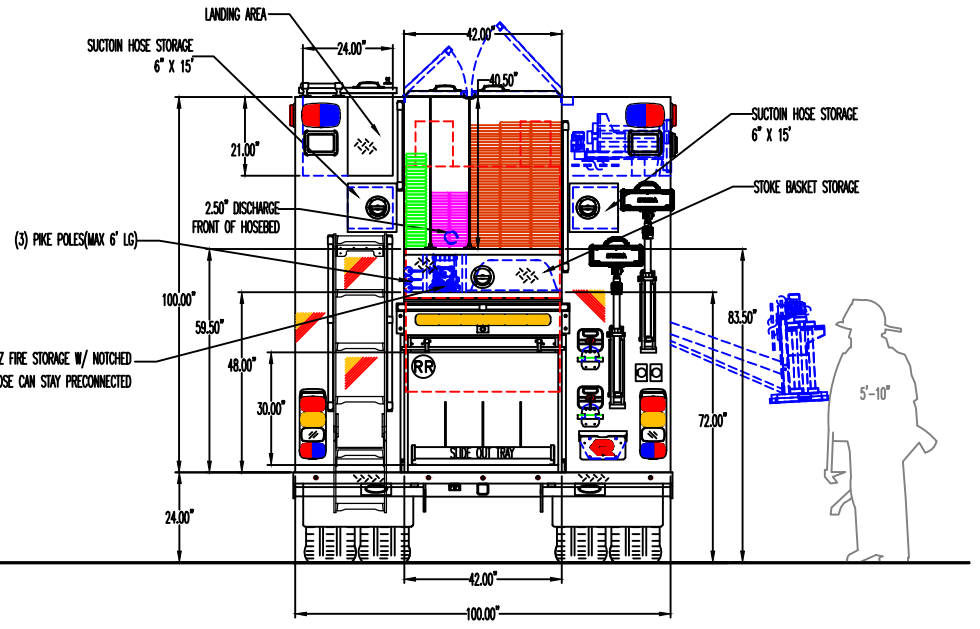
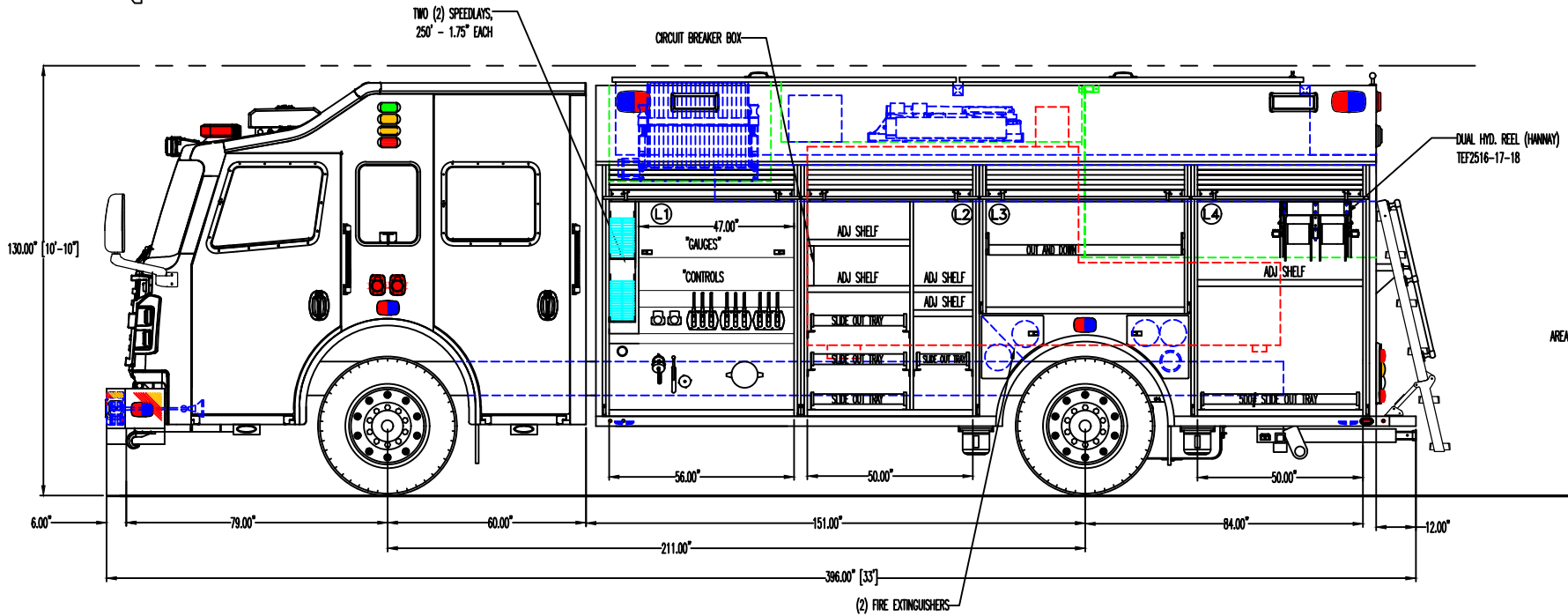


COMPARTMENT DIMENSIONS				
LOCATION	WIDTH	HEIGHT	DEPTH	VOLUME IN CUBIC FEET
L1	56	63	12	24.5
L2	50	63	26	47.4
L3	60	32	26	28.9
L4	50	63	26	47.4
R1	56	63	12	24.5
R2	50	63	26	47.4
R3	40	32	26	19.3
R4	50	63	26	47.4
RR	42	30	24	17.5

MAIN HOSEBED CAPACITY: LEFT TO RIGHT
 - 250' - 3"
 - 300' - 2.5"
 - 1000' - 5"



- NOTES:**
- OVERALL HEIGHT IS IN LOADED CONDITION. UNLOADED HEIGHTS MAY BE 4" ABOVE HEIGHTS SHOWN.
 - DO NOT SCALE DRAWING.
 - ALL DIMENSIONS ARE APPROXIMATE AND SUBJECT TO ENGINEERING CHANGES.
 - DRAWING MAY OR MAY NOT SHOW ALL ITEMS AS DESCRIBED IN THE WRITTEN DETAIL SPECIFICATIONS.
 - INCLUSION OF AN ITEM ON THE DRAWING DOES NOT CONSTITUTE INCLUSION OF THAT ITEM WITH THE FINAL DELIVERED UNIT.

REVISED: CRL DATE: 01/05/2016 (R-05)
 REVISED: CRL DATE: 12/18/2015 (R-04)
 REVISED: CRL DATE: 12/09/2015 (R-03)
 DRAWN: JPF DATE: 10/22/2015


PROPRIETARY AND CONFIDENTIAL
 THE INFORMATION CONTAINED IN THIS DRAWING IS THE SOLE PROPERTY OF ROSENBAUER. ANY REPRODUCTION IN PART OR AS A WHOLE WITHOUT THE WRITTEN PERMISSION OF ROSENBAUER IS PROHIBITED.

APPROVED BY:

MAXIMUM HEIGHT	11'-4"
MAXIMUM LENGTH	33'
BODY WIDTH	100"

CHASSIS: ROSENBAUER R618
 PUMP: HALE 8FGR 2000 GPM
 TANK: POLY 1000/40(FOAM)
 TYPE: PUMPER
 AERIAL: N/A

**- PROPOSED -
HOPEWELL**



ROSENBAUER EXT

JOB NUMBER	DRAWING NUMBER	REV
-	P6031	05