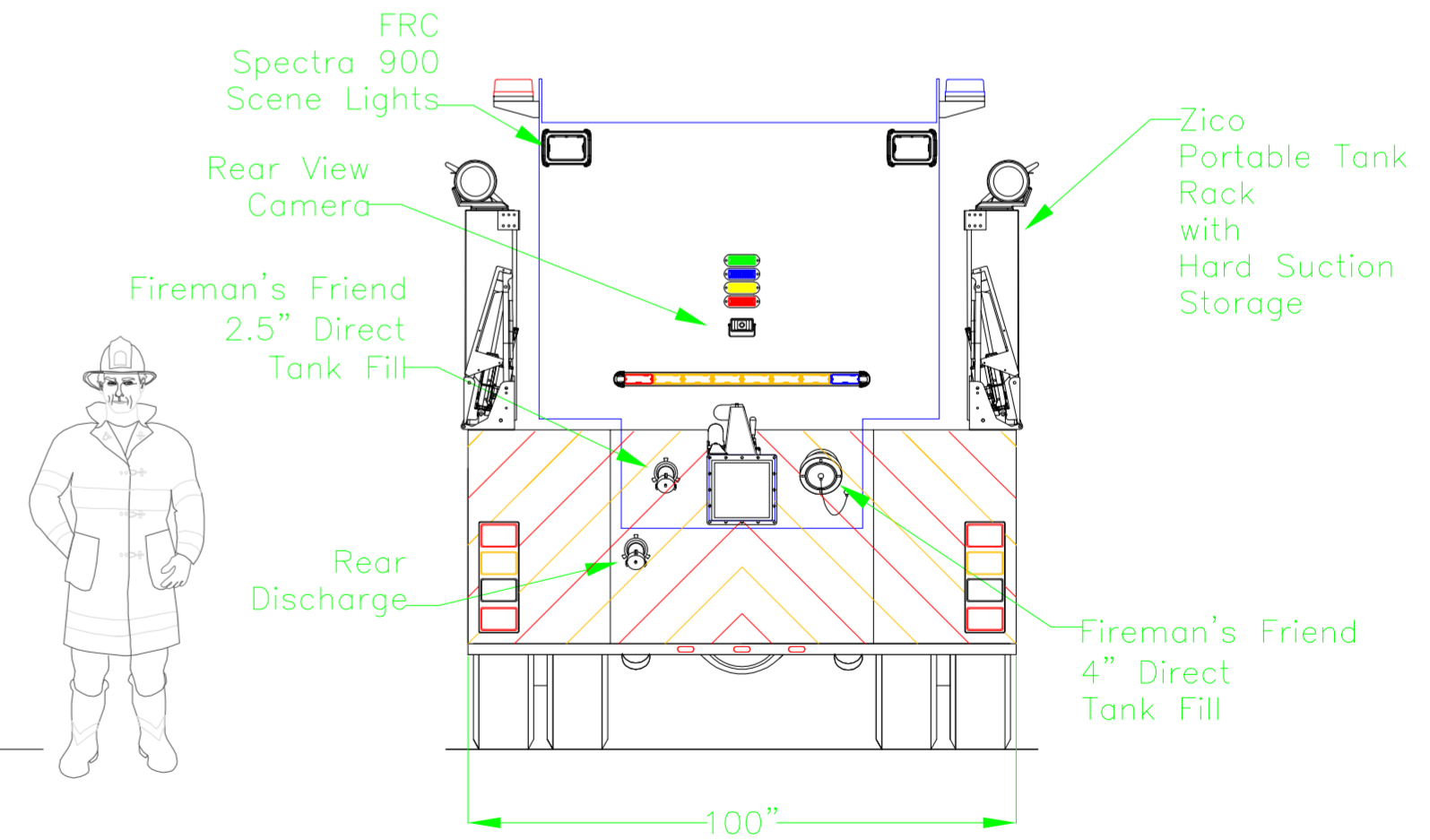
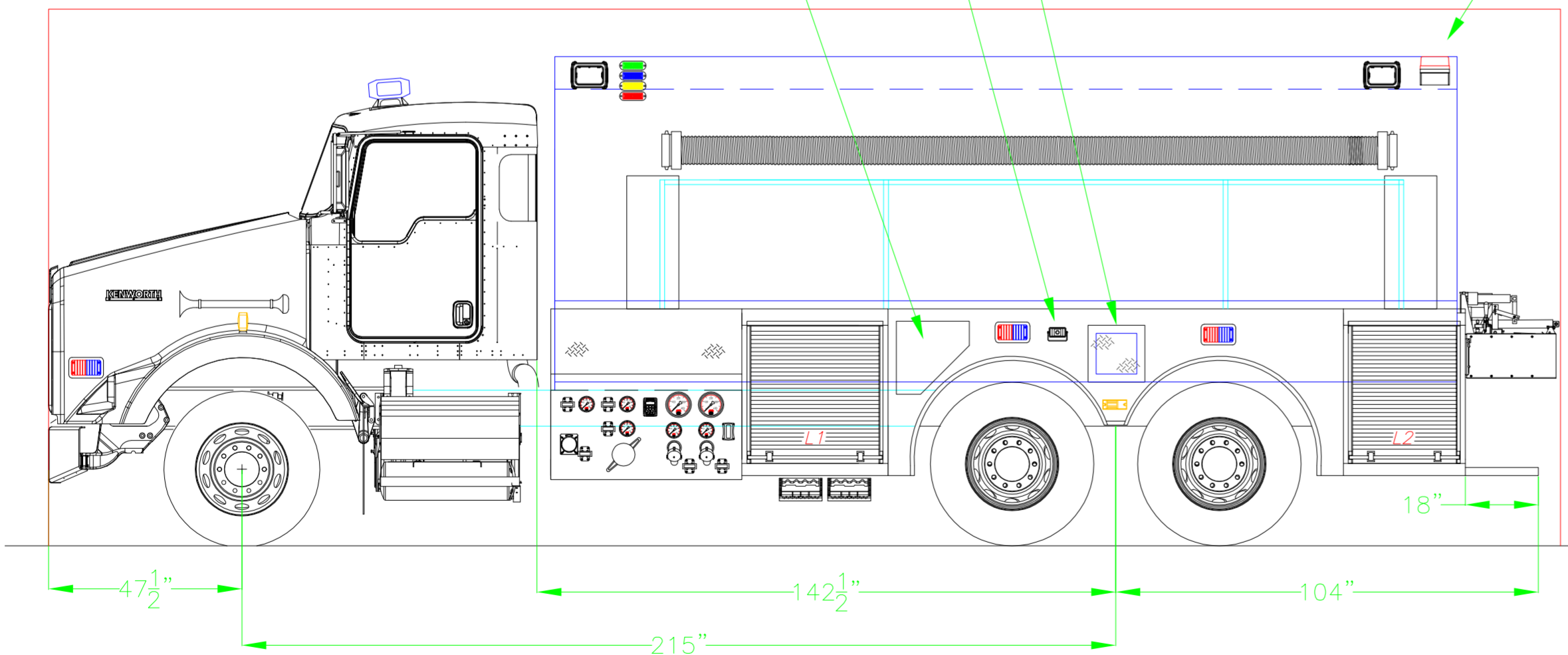


LEFT SIDE COMPARTMENTS		
COMPT	DOORS	APPROX. OUTSIDE DIMENSIONS
L1	Roll Up	36"W x 36"H x 26"D
L2	Roll Up	30"W x 36"H x 26"D

RIGHT SIDE COMPARTMENTS		
COMPT	DOORS	APPROX. OUTSIDE DIMENSIONS
R1	Roll Up	50"W x 36"H x 26"D
R2	Roll Up	33"W x 36"H x 26"D
R3	Roll Up	30"W x 36"H x 26"D

Class1 Sidekick 1000 GPM Pump Module
4000 Gal Wetside Tank

- Side Dump Chutes
- Dump Chute Cameras
- SCBA Storage
- Whelen L31 Beacons



SUTPHEN EAST INC.
PO Box 16 White Lake, New York

Length Restriction: 31ft (372in)
Height Restriction: 11ft (132in)

REV.	DESCRIPTION	BY	DATE

DRAWN BY: K. Knapp CHECKED BY: APPROVED BY: SCALE: NTS	DATE: 08/15/2012 DATE: DATE: TOLERANCE:	Hopewell, NJ MATERIAL: NEXT ASSEMBLY:	NUMBER REQUIRED: HS NUMBER: 5212
---	---	---	--